

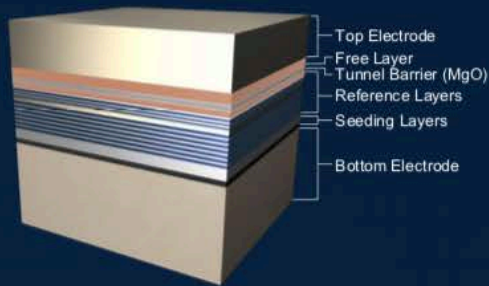


Flash Memory Summit

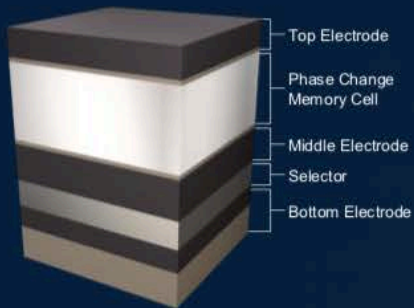
# Overview of Persistent Memory: Media, Attachment & Usage

Dave Eggleston

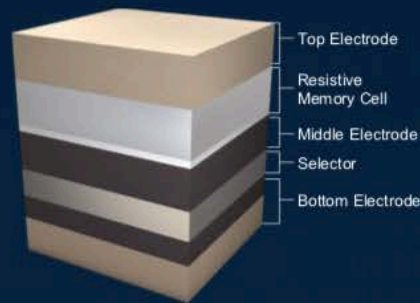
Intuitive Cognition Consulting



**MRAM**  
Magnetic RAM



**PCRAM**  
Phase Change RAM



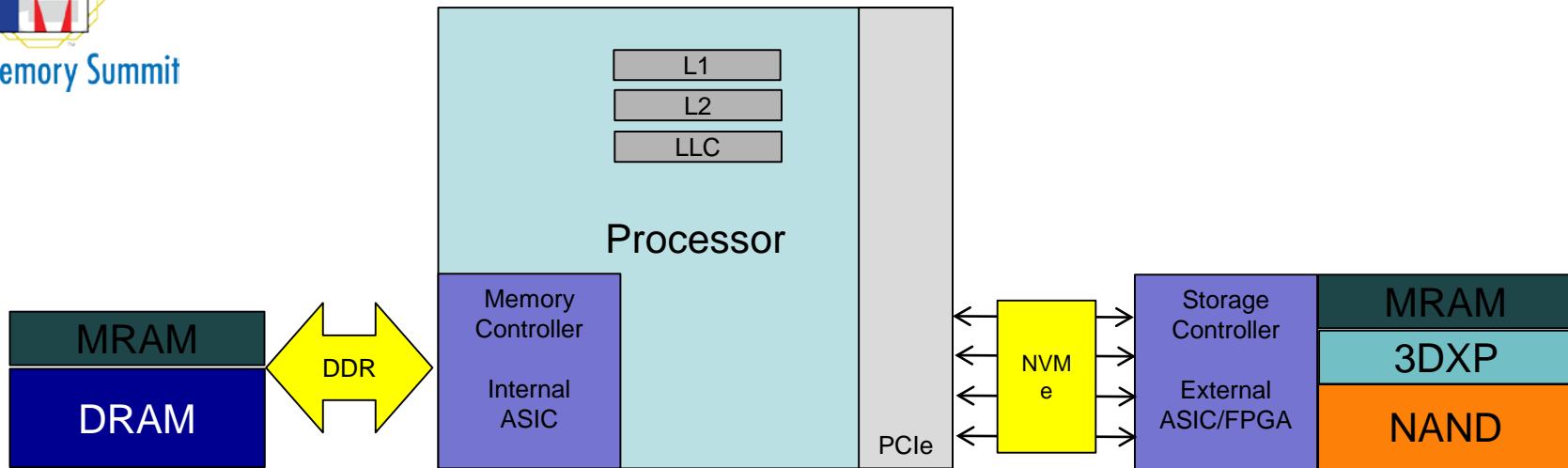
**ReRAM**  
Resistive RAM

INITIAL DEPLOYMENT	Edge	Cloud
KEY ATTRIBUTES	<ul style="list-style-type: none"> <li>✓ Extremely fast (as fast as L3 cache)</li> <li>✓ High density (one transistor per cell)</li> <li>✓ Non-volatile</li> </ul>	<ul style="list-style-type: none"> <li>✓ Faster than NAND</li> <li>✓ Lower cost than DRAM</li> <li>✓ Non-volatile</li> <li>✓ Ideal for storage class memory</li> </ul>

ENABLED BY **New materials, 3D structures, Sub atomic-level precision films**



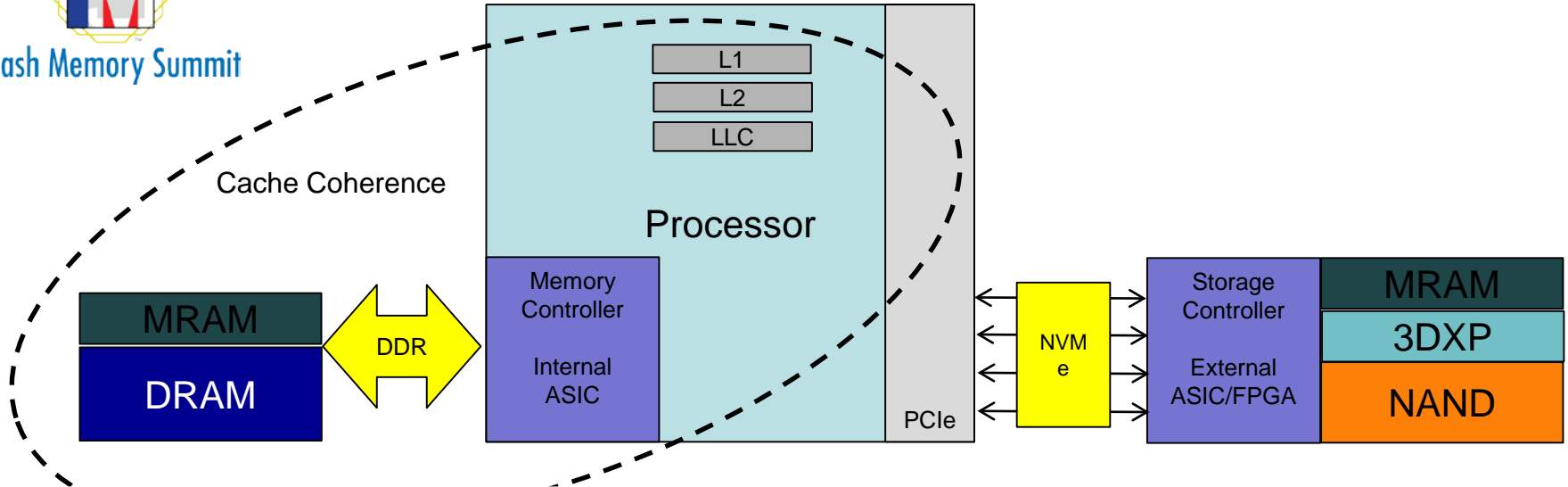
# Processor Attachment: circa 2018



Memory	Characteristic	Storage
Load/Store	Access	Blocks & Files
Yes	Coherent?	No
Yes, No	Persistent?	Yes
50ns – 500ns	Latency	>5us



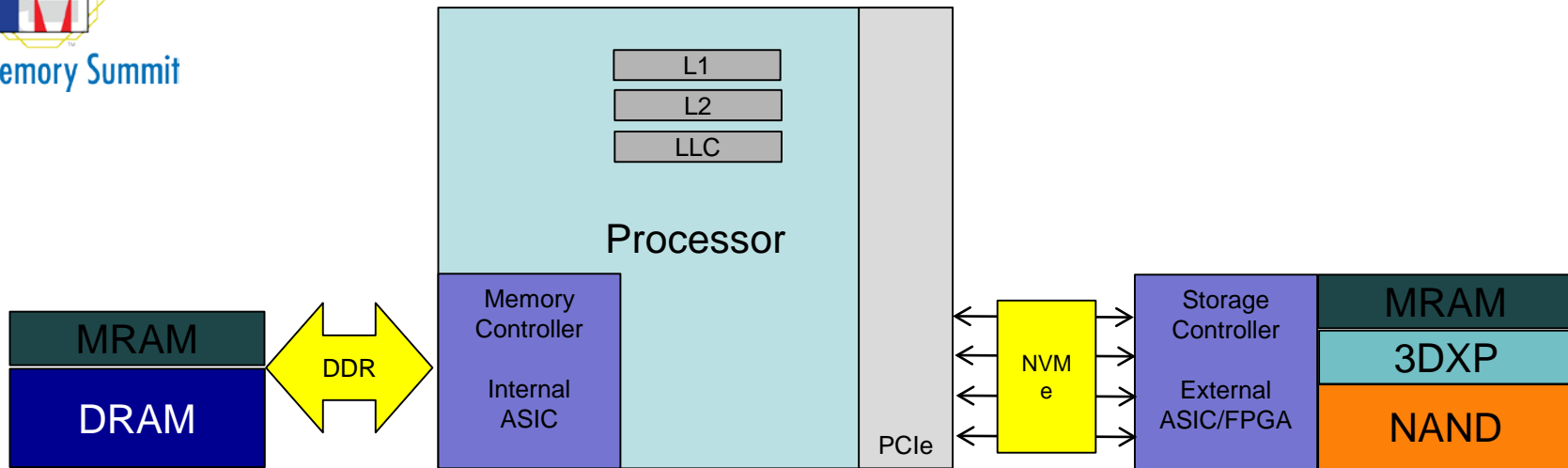
# Processor Attachment: circa 2018



Memory	Characteristic	Storage
Load/Store	Access	Blocks & Files
Yes	Coherent?	No
Yes, No	Persistent?	Yes
50ns – 500ns	Latency	>5us



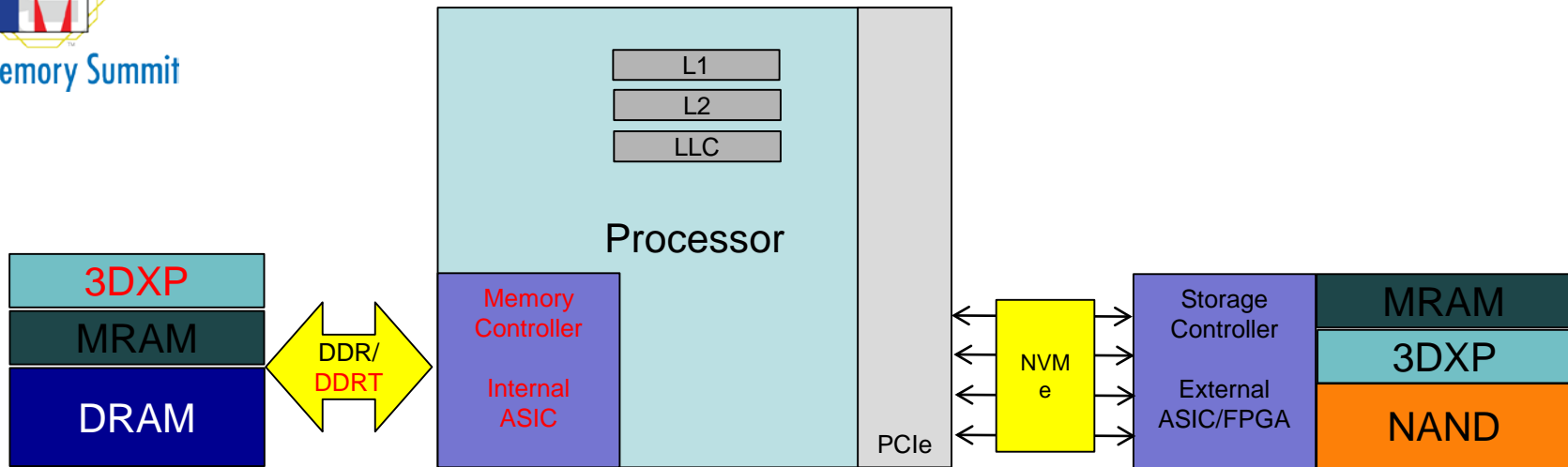
# Processor Attachment: circa 2018



Memory	Characteristic	Storage
Load/Store	Access	Blocks & Files
Yes	Coherent?	No
Yes, No	Persistent?	Yes
50ns – 500ns	Latency	>5us



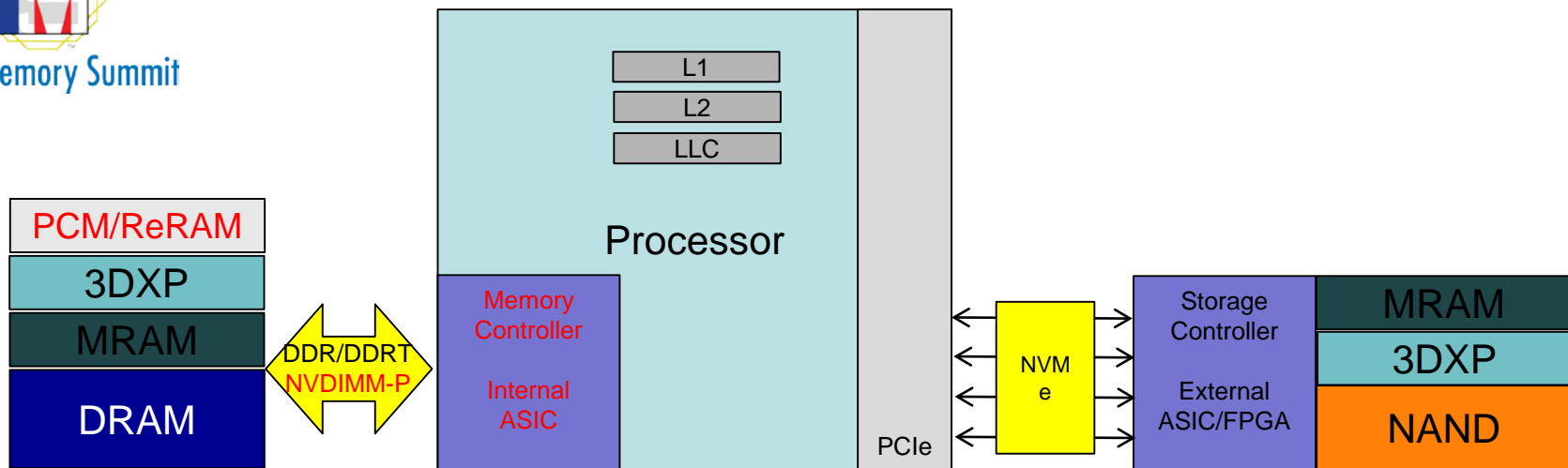
# DDR Attachment: circa 2019



Memory	Characteristic	Storage
Load/Store	Access	Blocks & Files
Yes	Coherent?	No
Yes, No, <i>Maybe</i>	Persistent?	Yes
50ns – 500ns	Latency	>5us



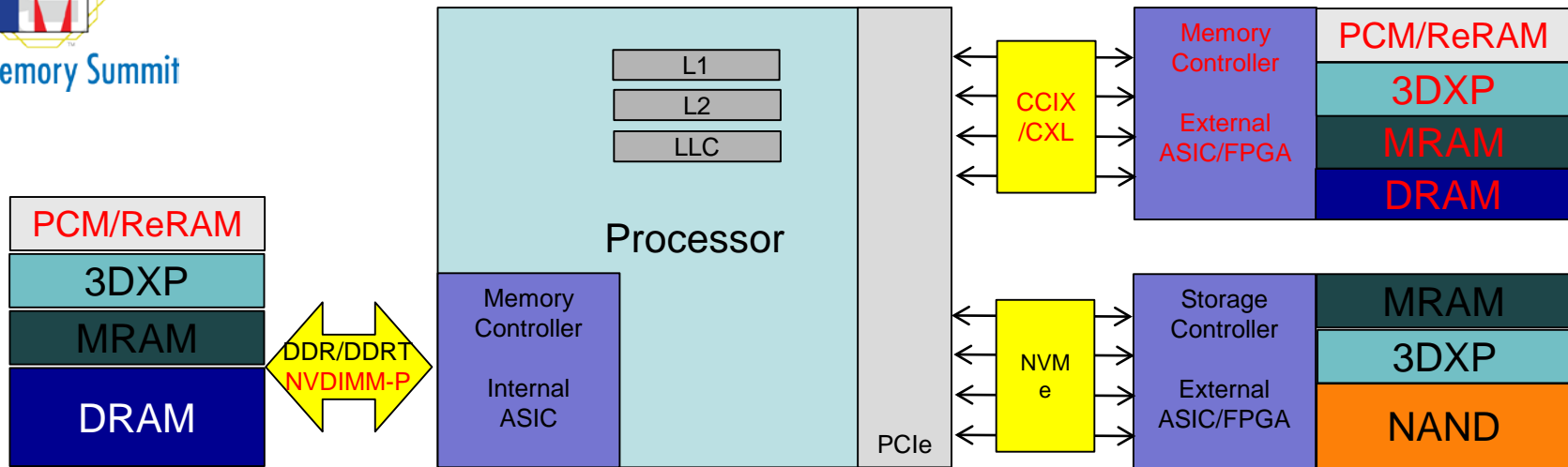
# DDR Attachment: circa 2020



Memory	Characteristic	Storage
Load/Store	Access	Blocks & Files
Yes	Coherent?	No
Yes, No, Maybe	Persistent?	Yes
50ns – 500ns	Latency	>5us



# Processor Attachment: circa 2020-21

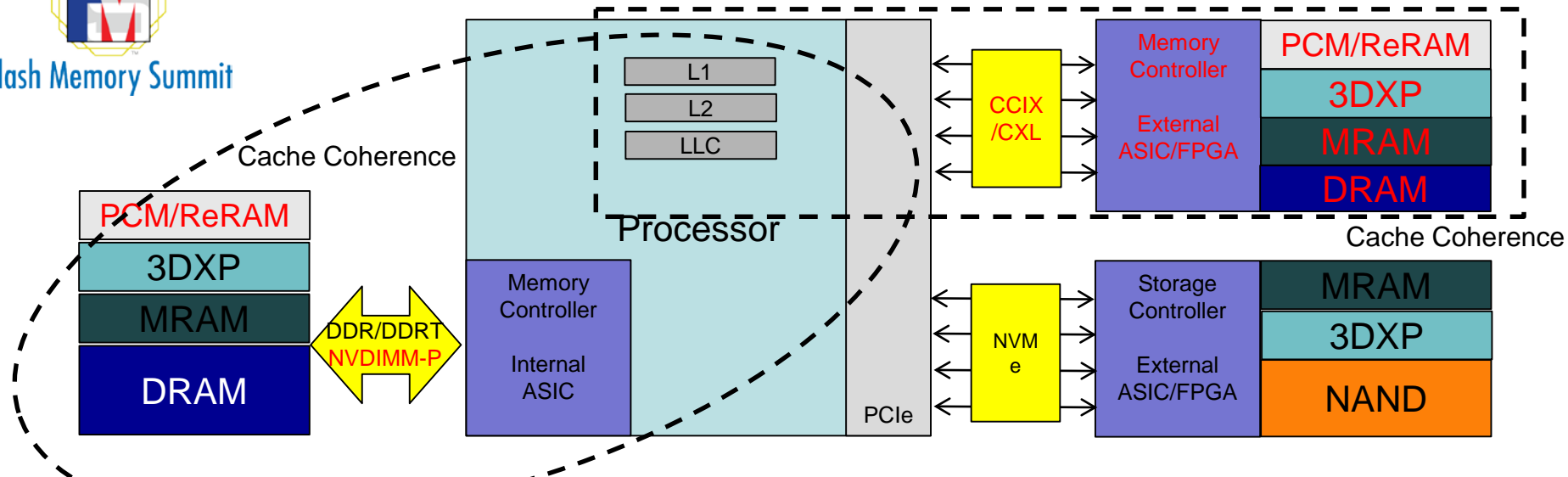


Memory	Characteristic	Memory	Storage
Load/Store	Access	Load/Store	Blocks & Files
Yes	Coherent?	Yes	No
Yes, No, Maybe	Persistent?	Yes, No, Maybe	Yes
50ns – 500ns	Latency	50ns – 500ns	>5us





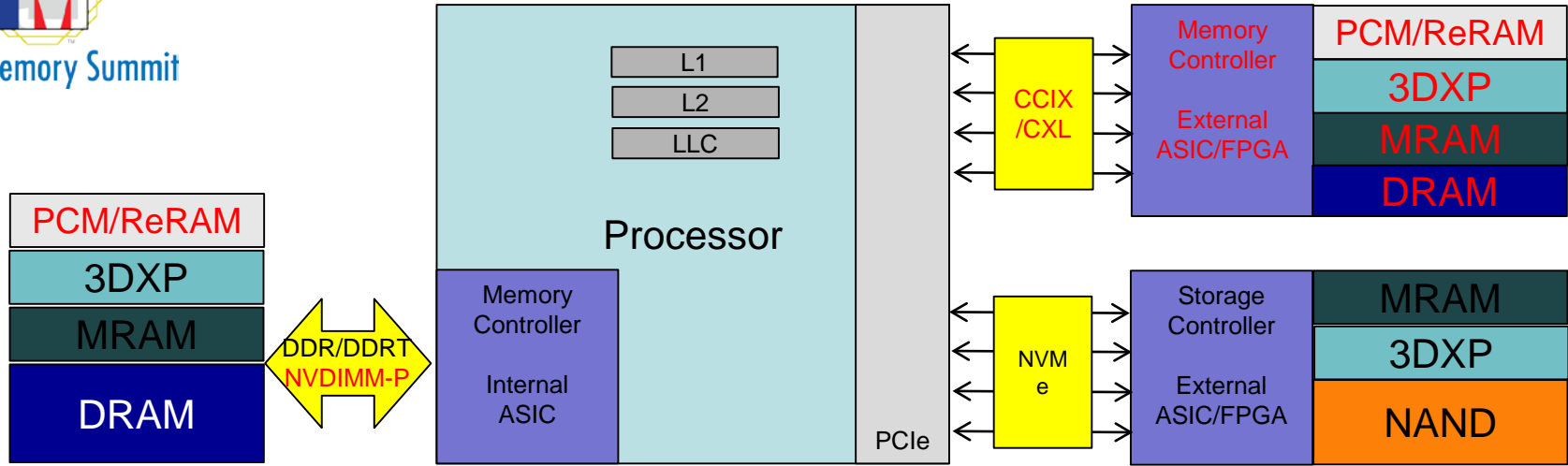
# Processor Attachment: circa 2020-21



Memory	Characteristic	Memory	Storage
Load/Store	Access	Load/Store	Blocks & Files
Yes	Coherent?	Yes	No
Yes, No, Maybe	Persistent?	Yes, No, Maybe	Yes
50ns – 500ns	Latency	50ns – 500ns	>5us



# Processor Attachment: circa 2020-21



Memory	Characteristic	Memory	Storage
Load/Store	Access	Load/Store	Blocks & Files
Yes	Coherent?	Yes	No
Yes, No, Maybe	Persistent?	Yes, No, Maybe	Yes
50ns – 500ns	Latency	50ns – 500ns	>5us



# Usage: Value Proposition(s)

## 1. PM = More Memory

Pro: Existing applications want it

Con: Compete directly vs. DRAM

## 2. PM = Persistent & Coherent

Pro: Take full advantage of features

Con: Application needs to know



# Upcoming FMS Sessions

- **3DXP**

NewM-201; Wed 8:30am

- **RRAM**

NewM-202A; Wed 4:35pm

- **MRAM**

NewM-202B; Wed 4:35pm

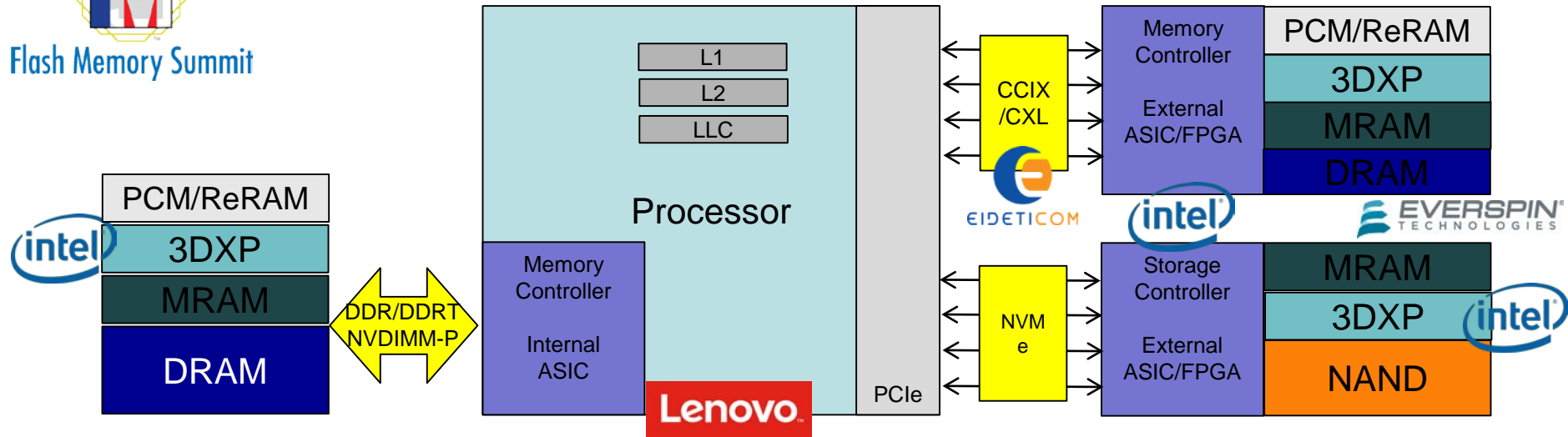
- **Life Beyond Flash**

NewM-301A; Thu 8:30am



Flash Memory Summit

# Processor Attachment: circa 2020-21



Memory	Characteristic	Memory	Storage
Load/Store	Access	Load/Store	Blocks & Files
Yes	Coherent?	Yes	No
Yes, No, Maybe	Persistent?	Yes, No, Maybe	Yes
50ns – 500ns	Latency	50ns – 500ns	>5us

Dave Eggleston  
Intuitive Cognition Consulting  
Technology & Business Strategy

Email: [dave@in-cog.com](mailto:dave@in-cog.com)

Twitter: [@NVM\\_DaveE](https://twitter.com/NVM_DaveE)

LinkedIn:  
[linkedin.com/in/deggleston/](https://www.linkedin.com/in/deggleston/)

